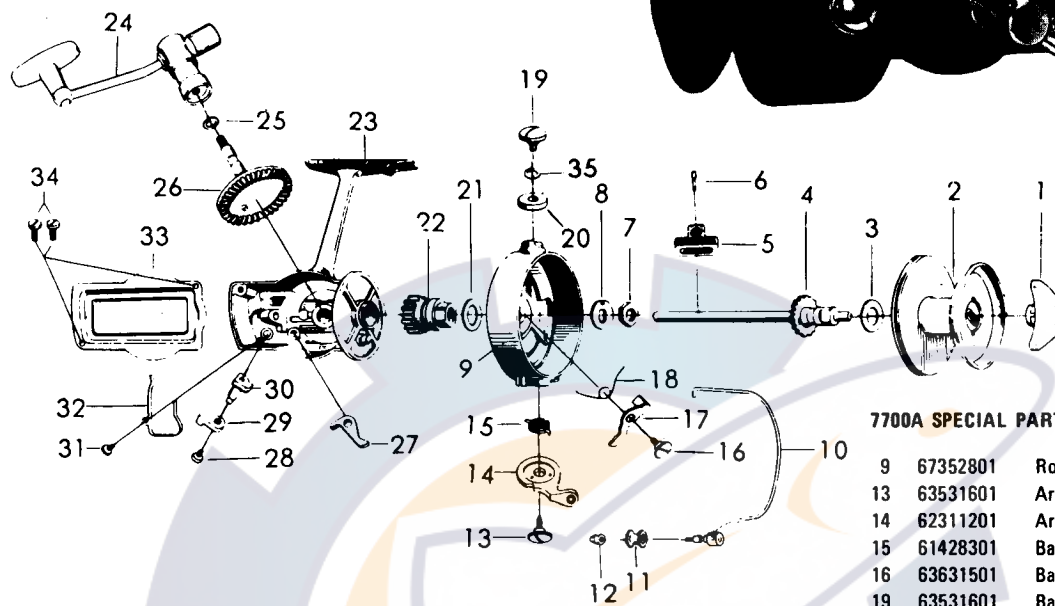
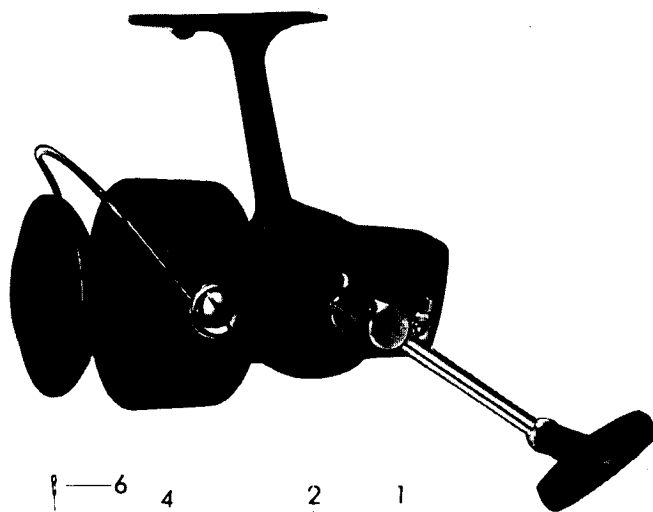




SPINNING REEL

7700  
7700A



LINE CAPACITY: 250 YDS., 20 LB. TEST

7700A SPECIAL PARTS

Key No.	Parts No.	Parts Name	Price
	9	67352801 Rotor	\$4.25
	13	63531601 Arm lever screw	.60
	14	62311201 Arm lever	1.25
	15	61428301 Bail spring	.50
	16	63631501 Bail kick lever screw	.50
	19	63531601 Bail holder screw	.60
	23	67004001 Body	5.00
	31	63522201 Anti-reverse spring screw	.50
	34	63516601 Body cover screw	.50

Key No.	Parts No.	Parts Name	Price	Key No.	Parts No.	Parts Name	Price
1	60058801 (A00588)	Drag knob	\$1.75	18	61406231 (1462b)	Bail kick lever spring	\$ .50
2	60057511 (A00575)	Spool assembly	5.50	19	63605611 (3656)	Bail holder screw	.60
3	63746302 (37100a)	Spool washer	.50	20	66303601 (6336)	Bail holder cap	.50
4	60014261 (A00142a)	Main shaft	1.50	21	63709820 (3798)	Pinion washer	.50
5	64801401 (4814a)	Oscillating slider	.50	22	64004021 (4040a)	Pinion	2.50
6	61202801 (1228)	Oscillating slider pin	.50	23	60059211 (A00592)	Body	5.00
7	63404601 (3446)	Rotor nut	.50	24	60005131 (A0051)	Handle	4.50
8	63712001 (37120)	Rotor retaining washer	.50	25	63709920 (3799)	Drive gear washer	.50
9	60058061 (A00580)	Rotor	4.25	26	64105811 (4158)	Drive gear	2.00
10	60028611 (A00286)	Bail	2.25	27	61101641 (1116)	Anti-reverse claw	.50
11	62501501 (2515)	Line roller	.50	28	63501931 (3519a)	Anti-reverse lever screw	.50
12	63408501 (3485)	Bail nut	.50	29	65401311 (5413)	Anti-reverse lever	.50
13	63605611 (3656)	Arm lever screw	.60	30	64601511 (4615)	Anti-reverse cam	.50
14	62301861 (2318a)	Arm lever	1.25	31	63501721 (3517a)	Anti-reverse spring screw	.50
15	61407001 (1470)	Bail spring	.50	32	61503361 (1533c)	Anti-reverse spring	.50
16	63601911 (3619)	Bail kick lever screw	.50	33	60069301 (0657)	Body cover	1.00
17	65702031 (5720c)	Bail kick lever	.50	34	63511401 (35114)	Body cover screw	.50

ALWAYS SPECIFY MODEL NO., PART NAME & PARTS NO. WHEN ORDERING PARTS  
PLEASE ENCLOSE CORRECT AMOUNT FOR PART'S PRICE WHEN ORDERING